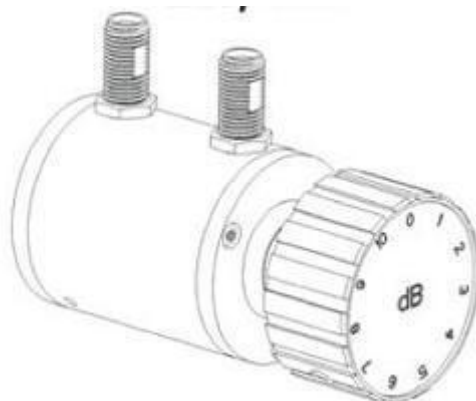




ATK-2W-6GN10 Step Attenuator (2W,10dB)



Electrical Specifications	
Frequency Range	DC-6.0GHz
VSWR	≤1.5
Impedance	50 Ω
Attenuation Precision	±0.5 dB
Insertion Loss	1 dB
Attenuation Range	0-10dB
Temperature	-55°C to +125 °C
Attenuation	0 1 2 3 4 5 6 7 8 9 10dB

DIMENSION(Unit: mm)

